



Number of contacts

32+

16 A 500 V 6 kV 3

Han

Features


- Proven Han® E inserts in size L32 with wire protection

Technical characteristics

Number of contacts	32
Rated current	16 A
Rated voltage	500 V
Rated impulse voltage	6 kV
Pollution degree	3
Rated voltage acc. to UL	600 V
Rated voltage acc. to CSA	600 V
Insulation resistance	>10 ¹⁰ Ω
Contact resistance	≤1 mΩ
Limiting temperature	-40 ... +125 °C
Mating cycles	≥500
Material (insert)	Polycarbonate (PC)
Colour (insert)	RAL 7032 (pebble grey)
Material (contacts)	Copper alloy
Material flammability class acc. to UL 94	V-0

Specifications and approvals

EN 60664-1
IEC 61984
UL 1977 ECBT2.E235076
DNV GL

Identification	Conductor cross-section (mm ²)	Part number		Drawing (dimensions in mm)
		Male	Female	
Han E®, Screw termination, With wire protection, Contact surface: Silver plated 	0.75 ... 2.5	09 33 032 2601	09 33 032 2701	

Standard hoods/housings for industrial connectors
Double locking lever

Han

Features



- Reduces the number of connector interfaces required on the machine (with up to 8 Han Modular® inserts in one housing)
- Han-Easy Lock® bracket (cross) or metal bracket (longitudinal) available
- Cable entries can be designed variably (up to M50) using the hood configurator

Technical characteristics

Limiting temperature	-40 ... +125 °C
Degree of protection acc. to IEC 60529	IP65
Type rating acc. to UL 50 / UL 50E	4, 4X, 12
Material (hood/housing)	Aluminium die-cast
Surface (hood/housing)	Powder-coated
Colour (hood/housing)	RAL 7037 (dust grey)
Material (seal)	NBR
Material (locking)	Polycarbonate (PC), Stainless steel
Colour (locking)	RAL 7037 (dust grey)
Material flammability class acc. to UL 94 (locking levers)	V-0


Specifications and approvals

DNV GL

Identification	Cable entry	Part number	Drawing (dimensions in mm)
Han® B, Hood, Top entry 	1x M40 1x M50	19 30 132 0428 19 30 132 0429	
Han® B, Hood, Side entry	1x M40	19 30 132 0528	
Han® B, Bulkhead mounted housing, Han-Easy Lock®		09 30 132 0301	
Han® B, Surface mounted housing, Side entry, Han-Easy Lock® 	1x M40 2x M40	19 30 132 0271 19 30 132 0272	



Han

Identification	Cable entry	Part number	Drawing (dimensions in mm)
<p>Han® B, Cable to cable housing, Top entry, Han-Easy Lock®</p> 	<p>1x M40</p>	<p>19 30 132 0728</p>	

Standard hoods/housings for industrial connectors
Single locking lever

Han

Technical characteristics



Limiting temperature	-40 ... +125 °C
Degree of protection acc. to IEC 60529	IP65
Type rating acc. to UL 50 / UL 50E	4, 4X, 12
Material (hood/housing)	Aluminium die-cast
Surface (hood/housing)	Powder-coated
Colour (hood/housing)	RAL 7037 (dust grey)

Technical characteristics

Material (seal)	NBR
Material (locking)	Steel, zinc plated

Specifications and approvals

DNV GL

Identification	Cable entry	Part number	Drawing (dimensions in mm)
Han® B, Hood, Top entry	1x M40 1x M50	19 30 132 0441 19 30 132 0449	
Han® B, Hood, Side entry	1x M40	19 30 132 0541	
Han® B, Bulkhead mounted housing, With thermo-plastic cover 		09 30 132 0304 ML	
Han® B, Bulkhead mounted housing		09 30 132 0307 ML	
Han® B, Surface mounted housing, Side entry	1x M40 2x M40	19 30 132 0275 ML 19 30 132 0276 ML	
Han® B, Surface mounted housing, With thermo-plastic cover, Side entry	1x M40 2x M40	19 30 132 2275 ML 19 30 132 2276 ML	
Han® B, Cable to cable housing, Top entry 	1x M40	19 30 132 0738 ML	

Features

- Suitable for more than 100 different modules
- Quick and easy assembly supported by an audible "Click"
- Very robust mechanical characteristics
- Modules can be assembled/removed without tools
- Two leading PE contacts

Technical characteristics

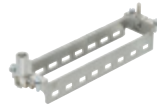
Limiting temperature	-40 ... +125 °C
Mating cycles	≥500
Material (frames)	Zinc die-cast, Stainless steel

Specifications and approvals

EN 60664-1
IEC 61984
DNV GL

Identification

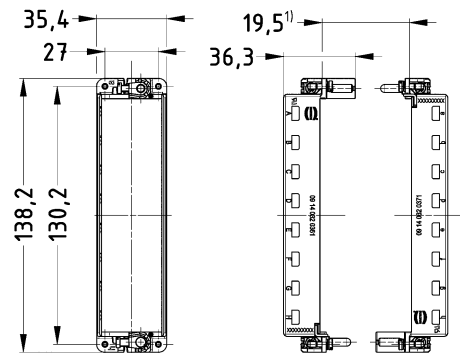
Han-Modular®,
Hinged frame plus,
for 8 modules,
A ... H



Part number

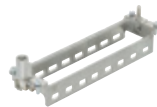
09 14 032 0361

Drawing (dimensions in mm)

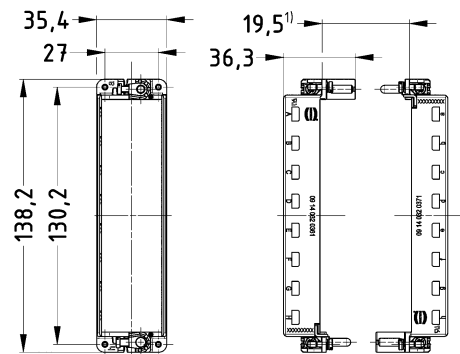


1) distance for contact max. 20.5 mm

Han-Modular®,
Hinged frame plus,
for 8 modules,
a ... h



09 14 032 0371



1) distance for contact max. 20.5 mm